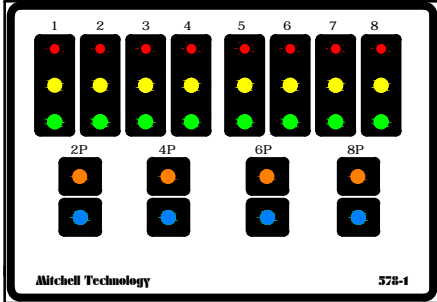
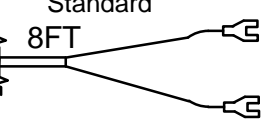
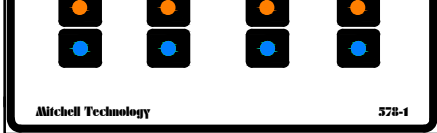
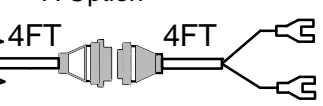
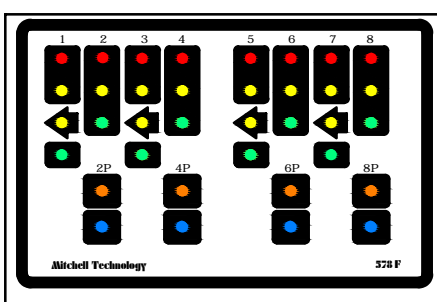
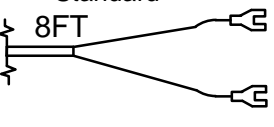
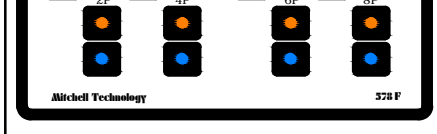
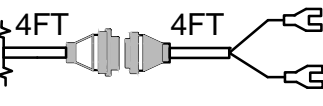
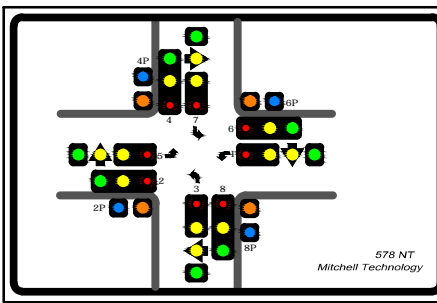
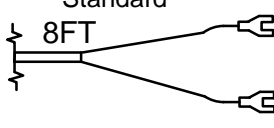
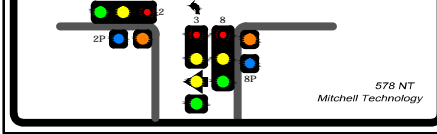
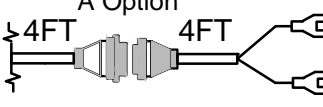
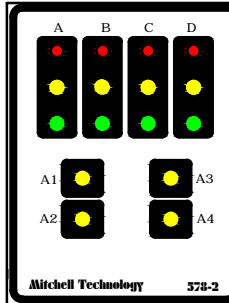
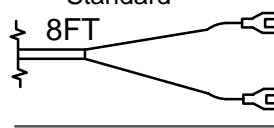
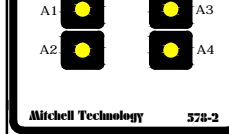
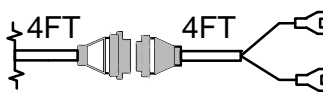
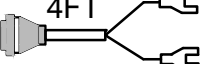


# 578 Cabinet Test Display Selection Guide

578-1		<p>Standard</p> 
578-1A		<p>A Option</p> 
578F-1		<p>Standard</p> 
578F-1A		<p>A Option</p> 
578NT-1		<p>Standard</p> 
578NT-1A		<p>A Option</p> 
578-2		<p>Standard</p> 
578-2A		<p>A Option</p> 
	<p>Accessory Cable</p>	
578-2B	<p>Use with 578-1A</p>	<div style="border: 1px solid black; padding: 5px;"> <p>For non standard cable lengths, contact Mitchell Technology.</p> </div>
578F-2B	<p>Use with 578F-1A</p>	
578NT-2B	<p>Use with 578NT-1A</p>	
578-2-2B	<p>Use with 578-2A</p>	