

①



ITEM	DESCRIPTION	WEIGHT	PART NO.
------	-------------	--------	----------

SQUARE BASE ASSEMBLY:

①	Aluminum	22.5 lbs.	PB-5335
	Aluminum, Heat Treated	22.5 lbs.	PB-5336
②	Alum w/ Steel Coupling	23.5 lbs.	PB-5341
③	Alum w/ Slip Fit	22.5 lbs.	PB-5339
④	Iron	76.0 lbs.	PB-5308

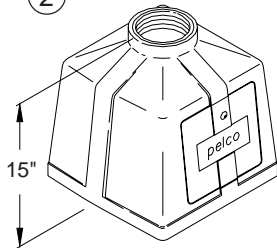
OCTAGONAL BASE ASSEMBLY:

⑤	Alum w/ Alum door	25.0 lbs.	PB-5349
⑥	Alum w/ Steel Coupling and Alum Door	27.0 lbs.	PB-5351
⑦	Alum w/ Slip Fit and Alum Door	25.0 lbs.	PB-5350
⑧	Iron w/ Iron door	78.0 lbs.	PB-5310

Notes:

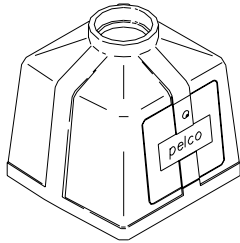
1. AASHTO Certified Square Aluminum Base: All Aluminum square bases above are available with AASHTO Certifications and FHWA approval. Please specify by adding the Certification Part No. C-1001 in addition to the base part number.
2. All assemblies are supplied standard with stainless fasteners.
3. Please specify options when ordering.

②



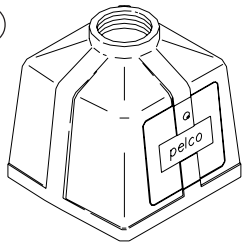
ITEM 1 & 2 OPTIONS
DOOR: Alum, Plastic, or Blank Plastic
SETSCREWS IN COLLAR: (1) 3/8" Hex Hd Bolt (3) 3/8" Soc Hd Setscrews
GROUNDING LUG
PAINT

③

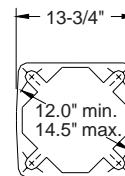


OPTIONS
DOOR: Alum, Plastic, or Blank Plastic
GROUNDING LUG
PAINT

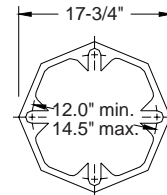
④



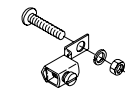
OPTIONS
SETSCREWS IN COLLAR: (1) 3/8" Hex Hd Bolt (3) 3/8" Soc Hd Setscrews
GROUNDING LUG
GALVANIZE
PAINT



Square Base

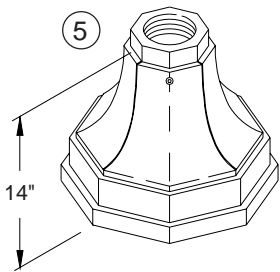


Octagonal Base



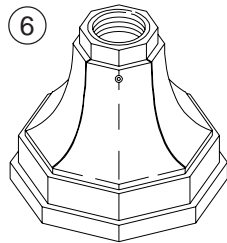
Grounding Lug

⑤

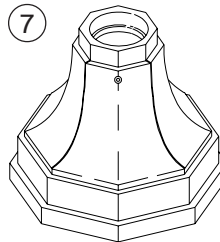


ITEM 5 & 6 OPTIONS
SETSCREWS IN COLLAR: (1) 3/8" Hex Hd Bolt (3) 3/8" Soc Hd Setscrews
GROUNDING LUG
PAINT

⑥

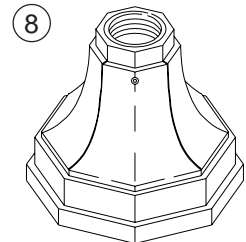


⑦

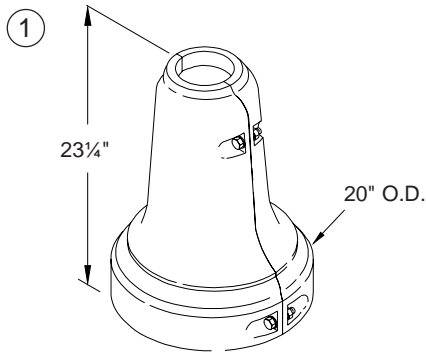


OPTIONS
GROUNDING LUG
PAINT

⑧

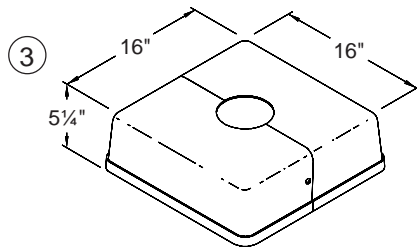
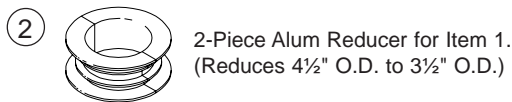


OPTIONS
SETSCREWS IN COLLAR: (1) 3/8" Hex Hd Bolt (3) 3/8" Soc Hd Setscrews
GROUNDING LUG
GALVANIZE
PAINT



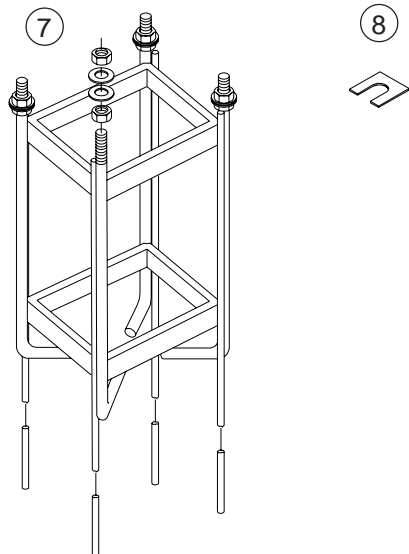
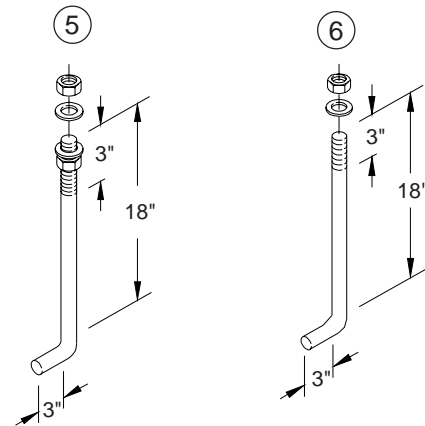
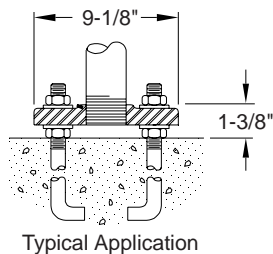
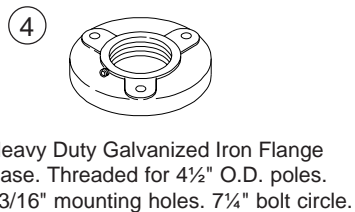
High Density Crosslinkable Polyethylene Pedestal Pole Base for 4 1/2" O.D. poles. Complete with all hardware. No anchor bolts required.

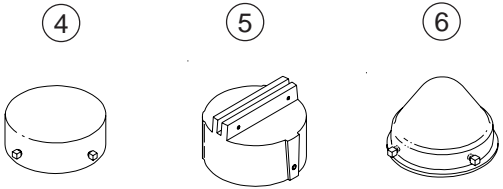
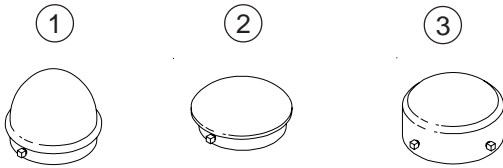
ITEM	DESCRIPTION	WEIGHT	PART NO.
①	2-PIECE BASE, Plastic	8.0 lbs	PB-5303
②	2-PIECE REDUCER, Aluminum		PB-5328
③	2-PIECE SQUARE COVER, Aluminum		PB-5399
④	FLANGE BASE, Galvanized Iron	10.2 lbs	PB-5304
⑤	ANCHOR BOLT SET OF 3, 3/4"-10 (Includes 3 Bolts, 6 Washers and 6 Nuts)	8.6 lbs	PB-5305
⑥	ANCHOR BOLT SET OF 4, 3/4"-10 (Includes 4 each: Bolts, Washers and Nuts)		PB-5306
⑦	ANCHOR BOLT CAGE, 13" B.C 3/4"-10 x 18", w/ 36" Rebar & Hardware		AP-1095-36
⑧	SHIM, Steel 1/16" x 2" x 2"		PB-0602
	1/8" x 2" x 2"		PB-0603



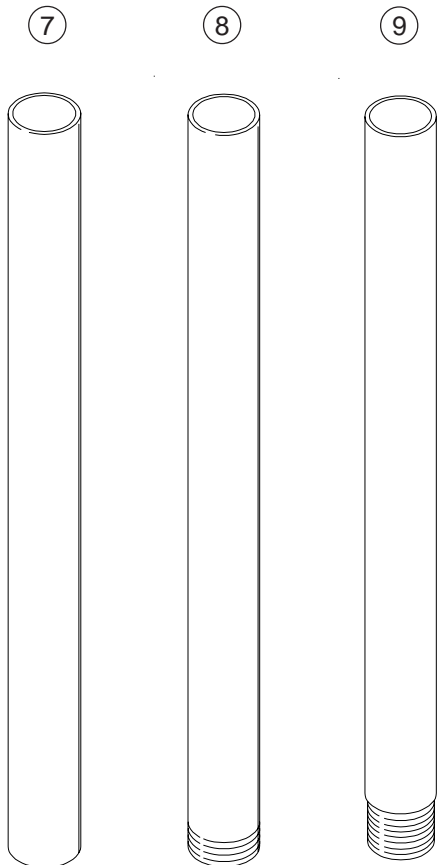
2-Piece Aluminum Square Cover.
For 4 1/2"-8" OD Pole (15" Max. Bottom
Opening). Complete with all hardware.

ITEM 3 OPTIONS
POLE DIA: 4 1/2" - 8" OD
PAINT





ITEM 1-5 OPTIONS
PAINT



ITEM 7-9 OPTIONS
LENGTH
PAINT

ITEM	DESCRIPTION	WEIGHT	PART NO.
①	POLE CAP, Acorn Type, Alum:		
	For 3" O.D. Pole		PB-5403
	For 3½" O.D. Pole		PB-5407
	For 4½" O.D. Pole	1.4 lbs.	PB-5401
②	POLE CAP, Dome Type, Alum:		
	For 4½" O.D. Pole	1.3 lbs.	PB-5402
③	POLE / ARM CAP, Alum:		
	For 2-5/16" to 3½" O.D. Pole		AP-0101
	For 3" to 4" O.D. Pole		AP-0102
	For 4-3/16" to 5-3/16" O.D. Pole		AP-0103
	For 5-3/16" to 6-3/16" O.D. Pole		AP-0104
	For 6-1/8" to 7-1/8" O.D. Pole		AP-0105
	For 7-3/16" to 8¼" O.D. Pole		AP-0106
	For 8-3/16" to 9-3/16" O.D. Pole		AP-0107
	For 9-7/16" to 10-7/16" O.D. Pole		AP-0108
④	POLE / ARM CAP, Alum:		
	For 10-11/16" to 11-11/16" O.D. Pole		AP-0109
	For 11-7/8" to 12-11/16" O.D. Pole		AP-0110
⑤	POST TOP CAP, 4", Alum:		
	For Extruded Sign Blade		SH-1608
	For Flat Sign Blade		SH-1615
⑥	POLE CAP, ABS Plastic:		
	For up to 4" O.D. Pole		AP-0805
	For up to 5" O.D. Pole		AP-0806
⑦	POLE, Spun Alum:		
	No Threads, Sch 40, 4½" O.D. x .237" Wall	3.8 lbs.	PB-5101
⑧	POLE, Spun Alum:		
	TOE, Sch 40, 4½" OD x .237" Wall	3.8 lb/ft	PB-5100
	TOE, Sch 80, 4½" OD x .438" Wall	5.2 lb/ft	PB-5102
	POLE, Steel		
	TOE, Sch 40, 4½" OD x .237" Wall, Steel	11.5 lb/ft	PB-5201
	TOE, Sch 40, 4½" OD x .237" Wall, Galv	11.5 lb/ft	PB-5200
⑨	WELDED PEDESTAL POLE		
	Steel Tube, 4½" x .125" Wall	5.9 lb/ft	PB-5204

Notes:

1. All assemblies are supplied standard with stainless fasteners.
3. Please specify options when ordering.