

# Dialight

## MULTI-PURPOSE VISUAL INDICATOR



### FEATURES / BENEFITS

- ▲ Large high visibility status indication
- ▲ Watertight – NEMA4X, IP66
- ▲ 120 - 230VAC, and 12-48 VDC Versions available
- ▲ Threaded 1" conduit openings with 3/4" adapter supplies for ease of mounting / wire entry
- ▲ Long life High Flux LEDs
- ▲ Mount to top of traffic pole for enhanced visibility
- ▲ Self contained wiring compartment
- ▲ Polycarbonate lens
- ▲ Can be operated steady or with user supplied external flasher
- ▲ Red Products are FAA approved for L-810 Obstruction Light Applications

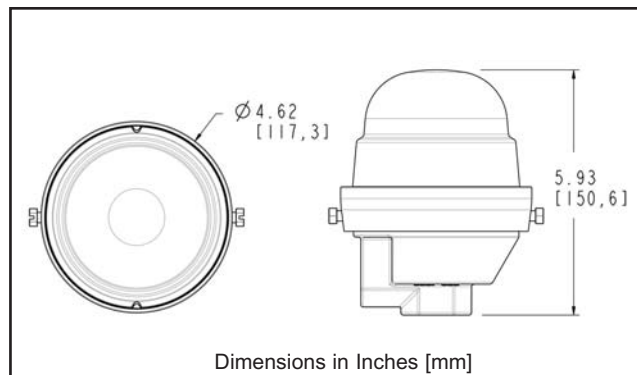
### SPECIFICATIONS

- ▲ **Operating Temperature** : -40°C to +55°C
- ▲ **Power Factor** : >0.9
- ▲ **Supply Voltage Range** : ±10%
- ▲ **Options** : Available in Red, White, Blue, and Green
- ▲ Base functions as wiring
- ▲ White, Blue and Green units include LED on top of assembly for additional visibility

### RTO SERIES MULTI PURPOSE VISUAL INDICATOR

Part Number	Color	Voltage	Power (W)	Typ. Intensity (cd)
RTO-1R07-001	Red	120-230 VAC	6.5	35
RTO-1R08-001	Red	12-48 VDC	3.5	35
RTO-6B07-001	Blue	120-230 VAC	6.5	25
RTO-6G07-001	Green	120-230 VAC	6.5	30
RTO-6W07-001	White	120-230 VAC	6.5	35

Consult factory for other colors



### Dialight Corporation

1501 Route 34 South • Farmingdale, NJ 07727 USA

Tel: (1) 732-919-3119 • Fax: (1) 732-751-5778

www.dialight.com



MDTSRTOX001\_A