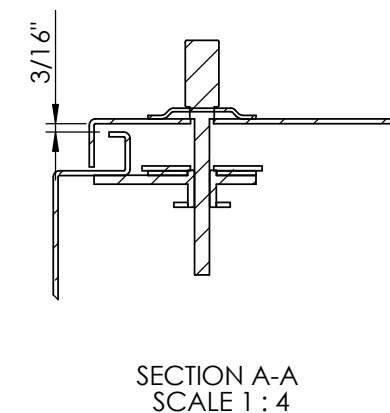
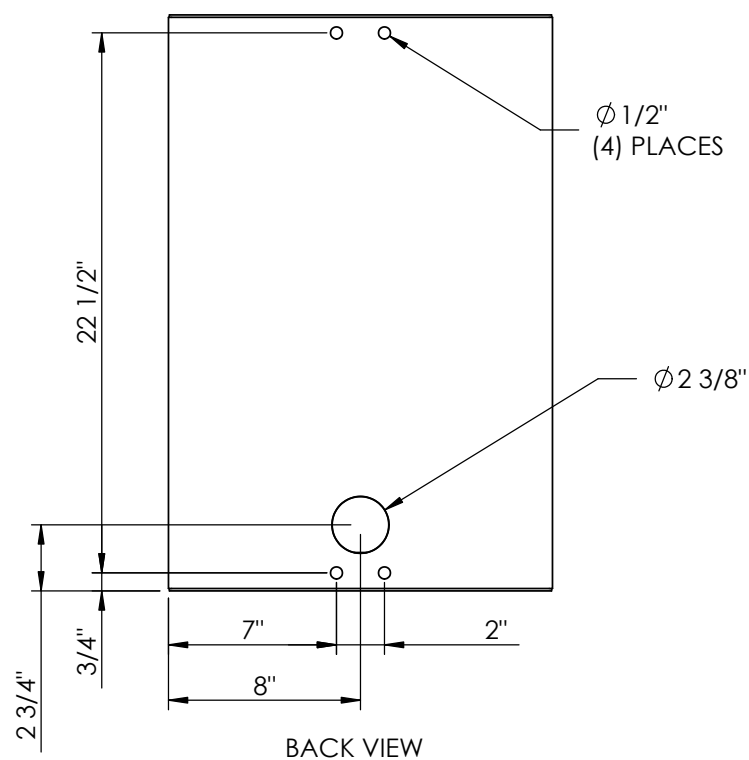
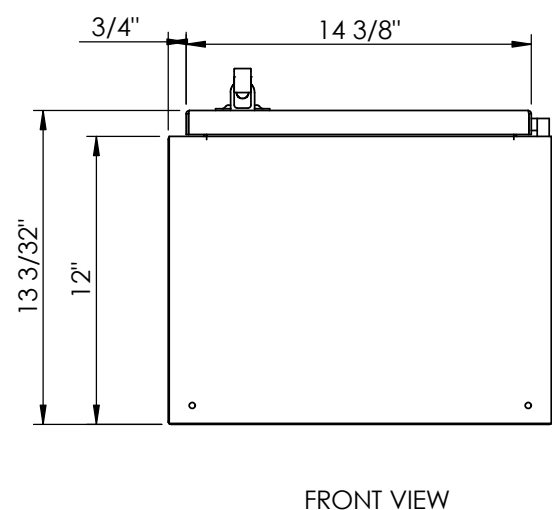
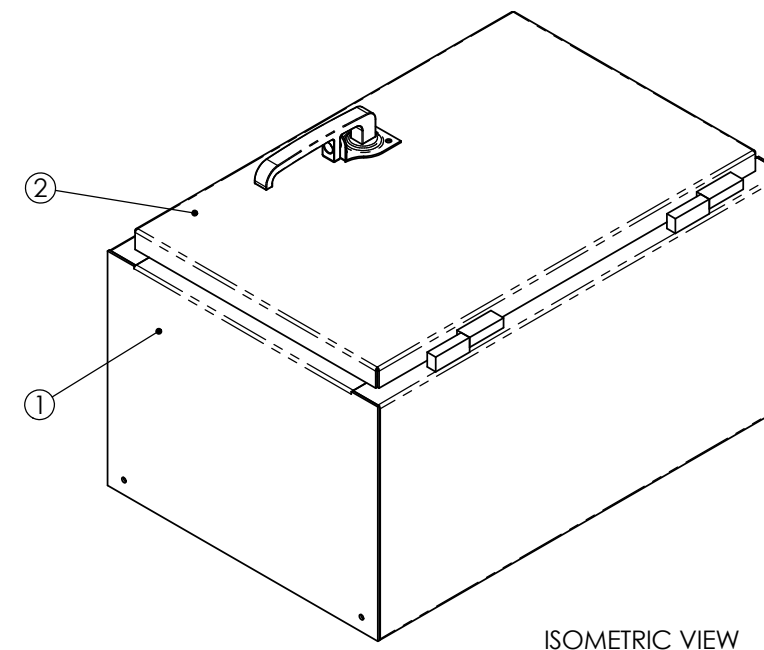
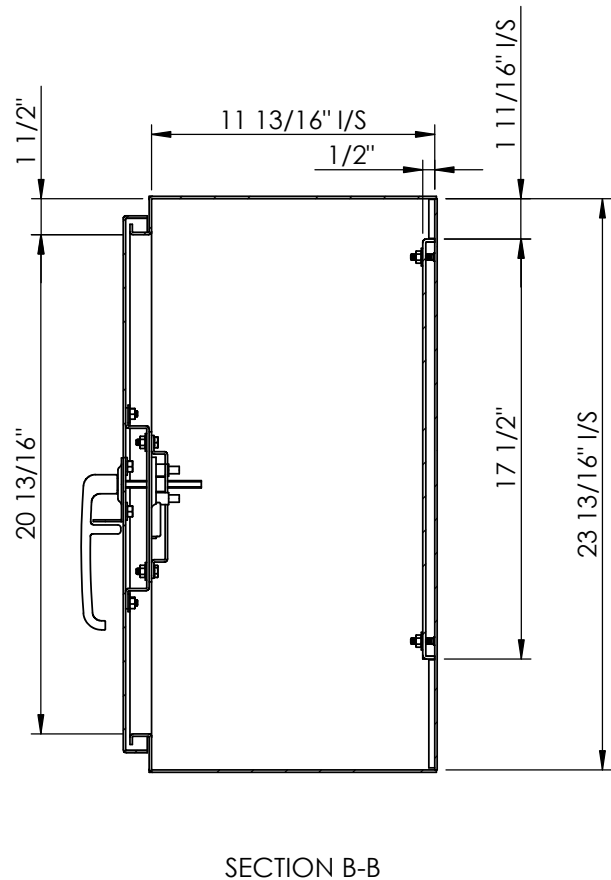
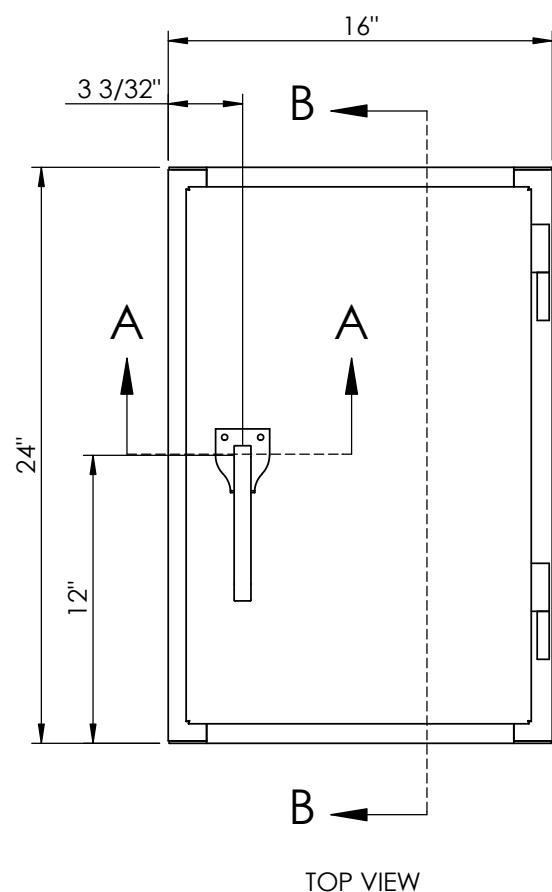


ITEM NO.	QTY	PART NUMBER	DESCRIPTION
1	1	SPW01-11	ASSEMBLY, MAIN WRAP W/INSIDES
2	1	SPW01-12	ASSEMBLY, DOOR



NOTE: USE 1/4" WEATHER STRIPPING

CAD GENERATED DRAWING DO NOT MANUALLY UPDATE UNLESS OTHERWISE SPECIFIED DIMENSIONS ARE IN INCHES TOLERANCES ARE: FRACTIONS DECIMALS ANGLES ± 1/32" .XX ± .01 ± .5° .XXX ± .010	APPROVALS	DATE	VALID MANUFACTURING LTD. ASSEMBLY, MAIN, SONIC BOX (PRE-EMPTION PANEL)
	DRAWN KN		
	CHECKED		
	RESP ENG		
	MFG ENG		SIZE DWG. NO. SPW01 REV. B
DO NOT SCALE DRAWING	QUAL ENG		SCALE SCALE (UNLESS NOTED) 1:8 SHEET 1 OF 1

THE INFORMATION CONTAINED IN THIS DRAWING IS THE SOLE PROPERTY OF VALID MANUFACTURING LTD. ANY REPRODUCTION IN PART OR WHOLE WITHOUT WRITTEN PERMISSION IS PROHIBITED